

# JAGUAR INSTRUMENTS

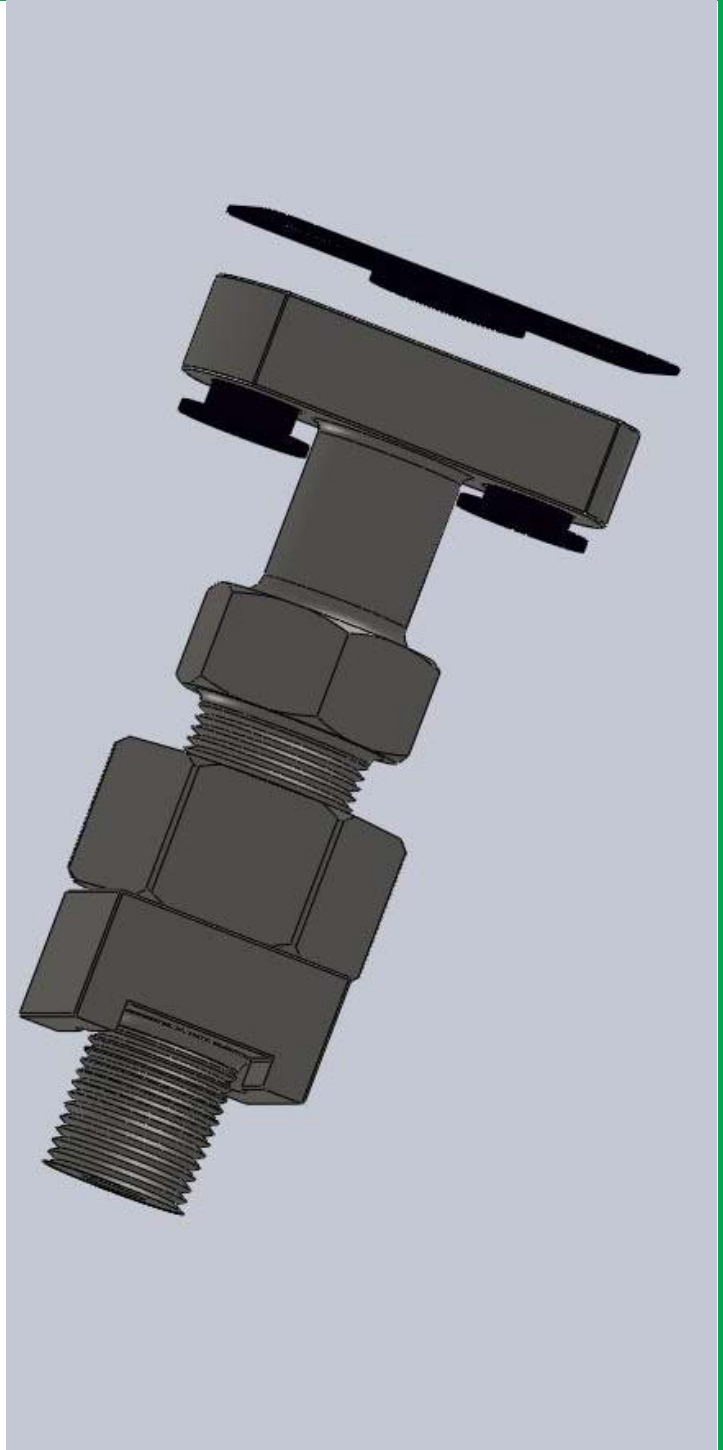
## STABILIZER TAPS

Stabilizer taps provide a means of transferring the radial load away from NPT type threads. This results in a much stronger joint between the pipe thread and the orifice fitting. It also eliminates the tendency for a leak to occur at this point.

These taps come with all the parts necessary to fit both orifice fittings and orifice union. The shoe is employed to create a larger flat footprint for the stabilizer nut when used on the curved surface of orifice flange unions.

A dielectric kit composed of a spacer and bolt bushings is included to provide a non-conductive barrier between a flow computer and the meter run.

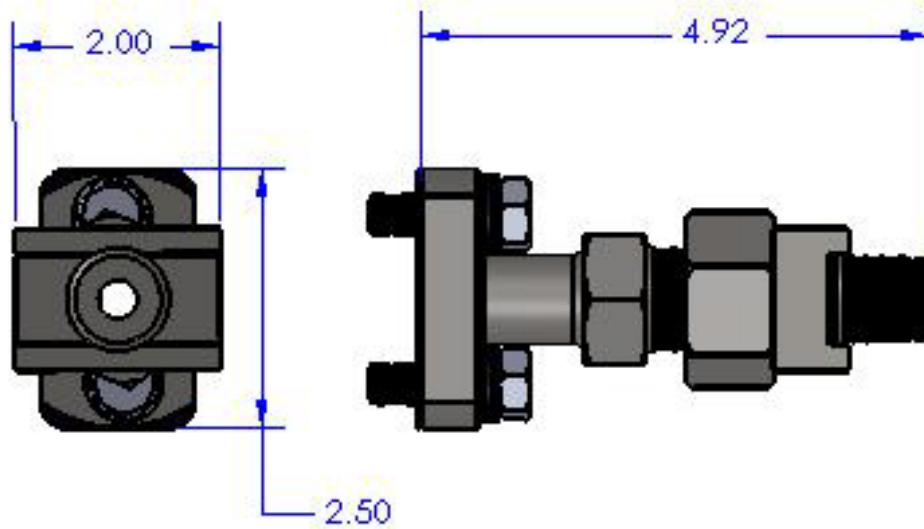
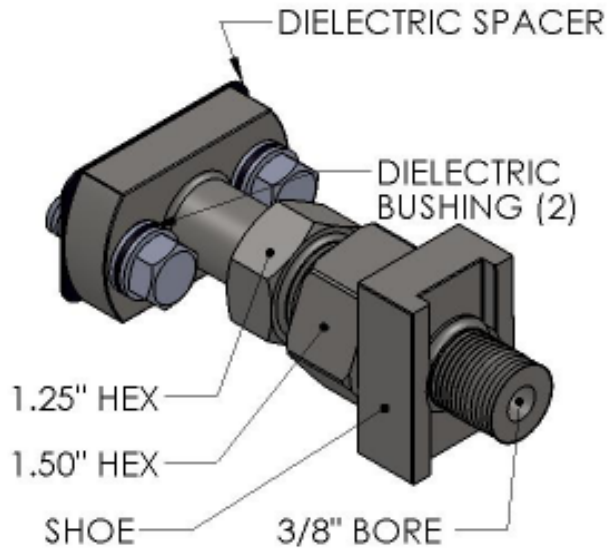
Other configurations and materials are available on request.



Jaguar Instruments, Inc  
PO Box 263660  
Houston, TX 77207  
Ph: 713-906-2718  
Fax: 713-845-1515

5939 Nunn St.  
Houston, TX 77087  
[www.jag-i.com](http://www.jag-i.com)  
[sales@jag-i.com](mailto:sales@jag-i.com)

# DIMENSIONS



PART NUMBER	METAL COMPONENTS MATERIAL	DIELECTRIC MATERIAL
ST-L8MSS	ASTM A182 – 316SS	DELTRIN